

Opal Brushed Stainless 400ml Liquid Soap Dispenser

Opal[®]
Range



Part Number 400SD-LBS

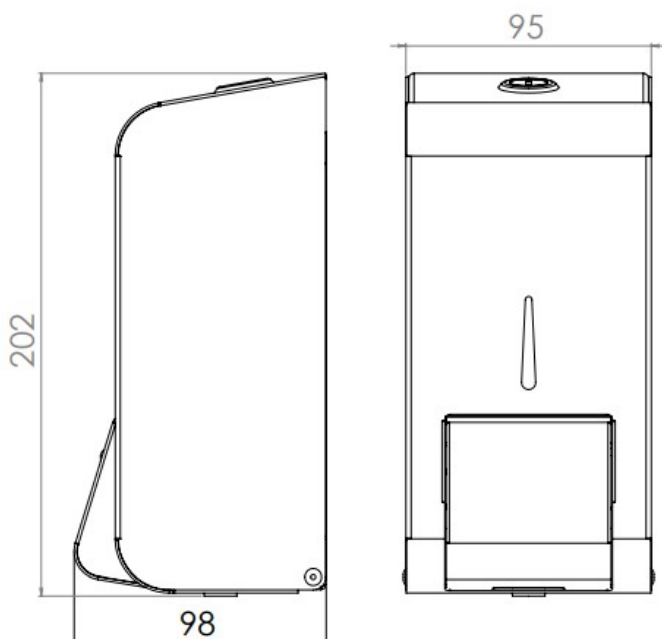
UK Manufactured in a brushed stainless steel
304L grade stainless steel 240g
High quality, durable refillable liquid soap dispenser
400ml capacity with removable pump and reservoir
Robust and hygienic material to clean and maintain
Front window to check stock levels
Key lockable with low profile chrome lock
Fixing kit and key provided

The Opal Range is an official Made In Britain product

Height 202mm
Width 95mm
Projection 98mm



Dimensions



Suitability

LIQUID
PUMP



400ML
REFILL



Flowable liquid soap, cream, gel, disinfectant
Liquid pump standard (2ml Shot) – 1m available

Available Spare Parts

4MR Reservoir, **4MP-L** Pump, **5099** lock + key

Note The Opal foam soap dispenser is designed for conversion. Additional foam or spray pumps are also available. **Part No 4MPF- / 4MP-S**